

CABLE RETENTION



Rubber Lined Clips – P Clips – PK Series – DIN3016

Rubber lined clips have an elastomer sheathing that absorbs jolts and vibrations, preventing damage to cables and hoses; and also acts as an excellent electrical insulator.

PERFORMANCE	Strength	■ ■ ■
	Temperature	■ ■ ■
	Speed	■ ■ ■
	Weathering	■ ■ ■
	Chemical	■ ■ ■
	Dynamic Range	■ ■ ■

The PK series P Clip is manufactured in accordance with DIN3016, incorporating a reinforced fastening hole.

Applications

- Automotive
- Marine
- Electrical
- Railway
- Engines
- General Industry

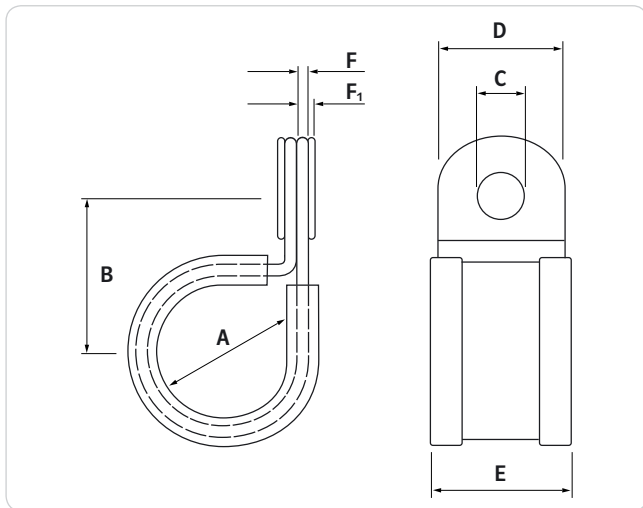
Materials – see section 10.3

- **W1** Zinc Plated Steel

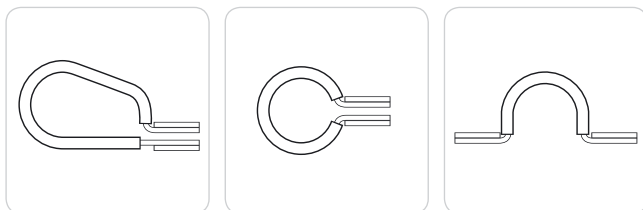
On Request

- **W5** 316 SS

Weathering	■ ■ ■
Chemical	■ ■ ■



Other types available on request



This page shows a small sample of the Rubber Lined clamps that we can supply. Please contact us with your specific requirement.

HCL Part No	Max Diameter (A) mm	Offset Distance (B) mm	Hole Diameter (C) mm	Band Width (D) mm	Rubber Width (E) mm	Band Thickness (F) mm	Clamping Thickness (F ₁) mm	Box Quantity
PK-15-5	5.0	12.2						
PK-15-6	6.0	12.7						
PK-15-7	7.0	13.2						
PK-15-8	8.0	13.7						
PK-15-9	9.0	14.2						
PK-15-10	10.0	14.7				0.6	1.6	
PK-15-11	11.0	15.2						
PK-15-12	12.0	15.7						
PK-15-13	13.0	16.2						
PK-15-14	14.0	16.7						
PK-15-15	15.0	17.2						
PK-15-16	16.0	17.7						
PK-15-17	17.0	18.2						
PK-15-18	18.0	18.7						
PK-15-19	19.0	19.2						
PK-15-20	20.0	19.7	6.4	15.0	18.0			100
PK-15-21	21.0	20.2						
PK-15-22	22.0	20.7						
PK-15-23	23.0	21.2						
PK-15-24	24.0	21.7				0.8	1.8	
PK-15-25	25.0	22.2						
PK-15-26	26.0	22.7						
PK-15-27	27.0	23.2						
PK-15-28	28.0	23.7						
PK-15-29	29.0	24.2						
PK-15-30	30.0	24.7						
PK-15-31	31.0	25.2						
PK-15-32	32.0	25.7						
PK-15-33	33.0	26.2						
PK-15-34	34.0	26.7						
PK-15-35	35.0	27.2						
PK-15-40	40.0	29.7						
PK-20-11	11.0	20.0						
PK-20-12	12.0	20.5						
PK-20-13	13.0	21.0						
PK-20-15	15.0	22.0						
PK-20-18	18.0	23.5						
PK-20-20	20.0	24.5						
PK-20-22	22.0	25.5						
PK-20-25	25.0	27.0						
PK-20-28	28.0	28.5						
PK-20-30	30.0	29.5						
PK-20-32	32.0	30.5						
PK-20-35	35.0	32.0						
PK-20-38	38.0	33.5						
PK-20-40	40.0	34.5						
PK-20-45	45.0	37.0	8.4	20.0	24.0	1.0	2.5	50
PK-20-50	50.0	37.5						
PK-20-55	55.0	40.0						
PK-20-60	60.0	42.5						
PK-20-65	65.0	45.0						
PK-20-70	70.0	47.5						
PK-20-75	75.0	50.0						
PK-20-80	80.0	52.5						
PK-20-85	85.0	55.0						
PK-20-90	90.0	57.5						
PK-20-95	95.0	60.0						
PK-20-100	100.0	62.5						
PK-20-110	110.0	65.0						
PK-20-120	120.0	67.5						
PK-20-130	130.0	70.0						25

All weights, dimensions & quantities are subject to a 2.5% tolerance.
To add material selection to the HCL Part No: for W1, add "W1". Other sizes available on request.